

VISUR

General information

126 – 127

Type illustrations

128

Complete sets

129 – 130

Components

131

Accessories

90 – 105

Safety-related information

139



VISUR PUREST CLARITY

All-glass double-action doors without any visible fixings? Meet VISUR, a system patented for DORMA that secures double-action glass doors without the need for any visually disruptive functional elements. VISUR presents the door in perfect transparency. Rather than cluttering the clear outline of the leaf, the hardware

components are all located in the surrounding structures. This absence of fittings means that the all-glass double-action door will match any room style, making the VISUR system a real boon to interior architecture.

100 % TRANSPARENT 100 % DURABLE

Frameless from top to toe – that's the VISUR's claim to fame, making life easier for architects and specifiers alike. Because they can choose any material and any colour for the surrounding structures. The VISUR system simply remains a discrete presence, fitting in with every design idea and reflecting it to maximum advantage.

Having successfully completed 500,000 operating cycles in its endurance test, there can be little doubt as to its outstanding quality – a 100 % DORMA product in every respect.



TRANSOM-CONCEALED DOOR CLOSER

In the case of VISUR all-glass double-action door, the closing function is performed invisibly by the transom-concealed RTS 85 EN 3 door closer. This not only reliably returns the door to its zero position after each opening action, but also – thanks to special check back

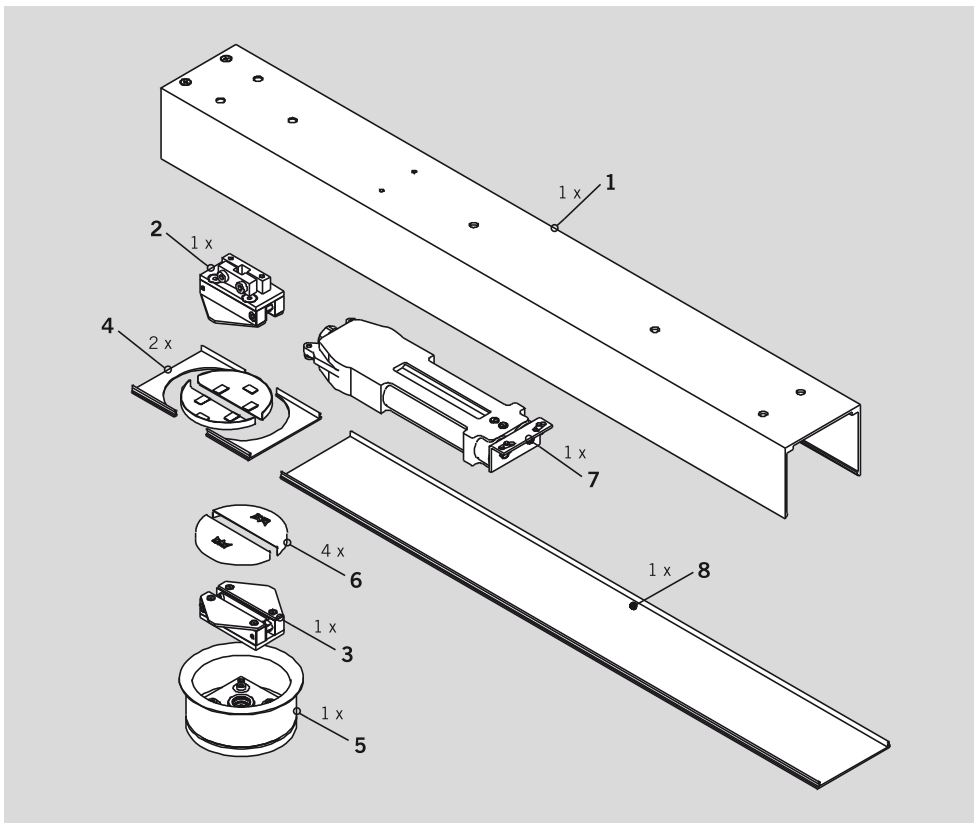
damping – protects the leaf from careless impact arising from excessive opening force. Thanks to a hold-open feature included as standard, the door can also be retained at an opening angle of 90°. Clampable projections – leaf-integral 'tongues' – provide the mating connection for the

concealed pivot fittings top and bottom. Hidden within the floor is the bottom bearing housing with the pivot bearing mounting designed for an offset of 65 mm.

The depth of installation is 64 mm and the diameter of the bearing housing is just 126 mm.

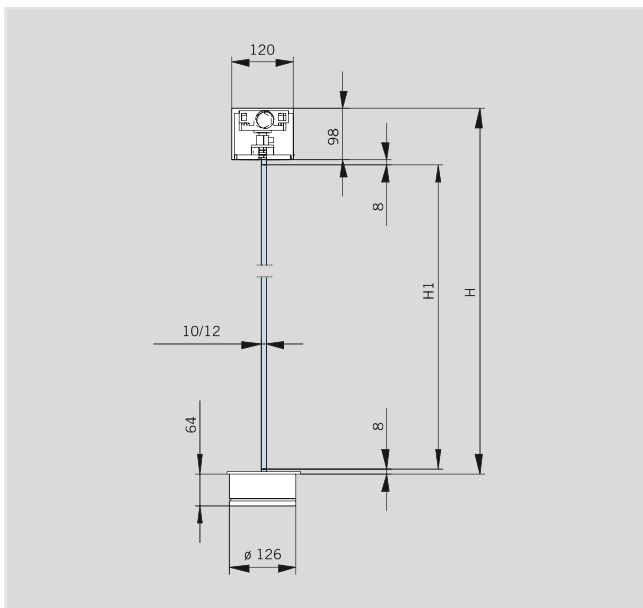


SCOPE OF DELIVERY



- 1** transom tube for installation under the ceiling
1 part for max. panel width 1,100 mm
2 parts for max. panel width 2 x 1,100 mm
- 2** glass clamping piece top
- 3** glass clamping piece bottom
- 4** cover profile parts for door closer pivot pin 90 mm
- 5** bottom bearing housing with cover ring
- 6** cover caps
- 7** RTS 85 EN 3, 90° retainer
- 8** transom tube cover

TECHNICAL DETAILS



Materials and finishes

- Aluminium, silver anodised 114, alumin. EV1-Deco,

Dimensions

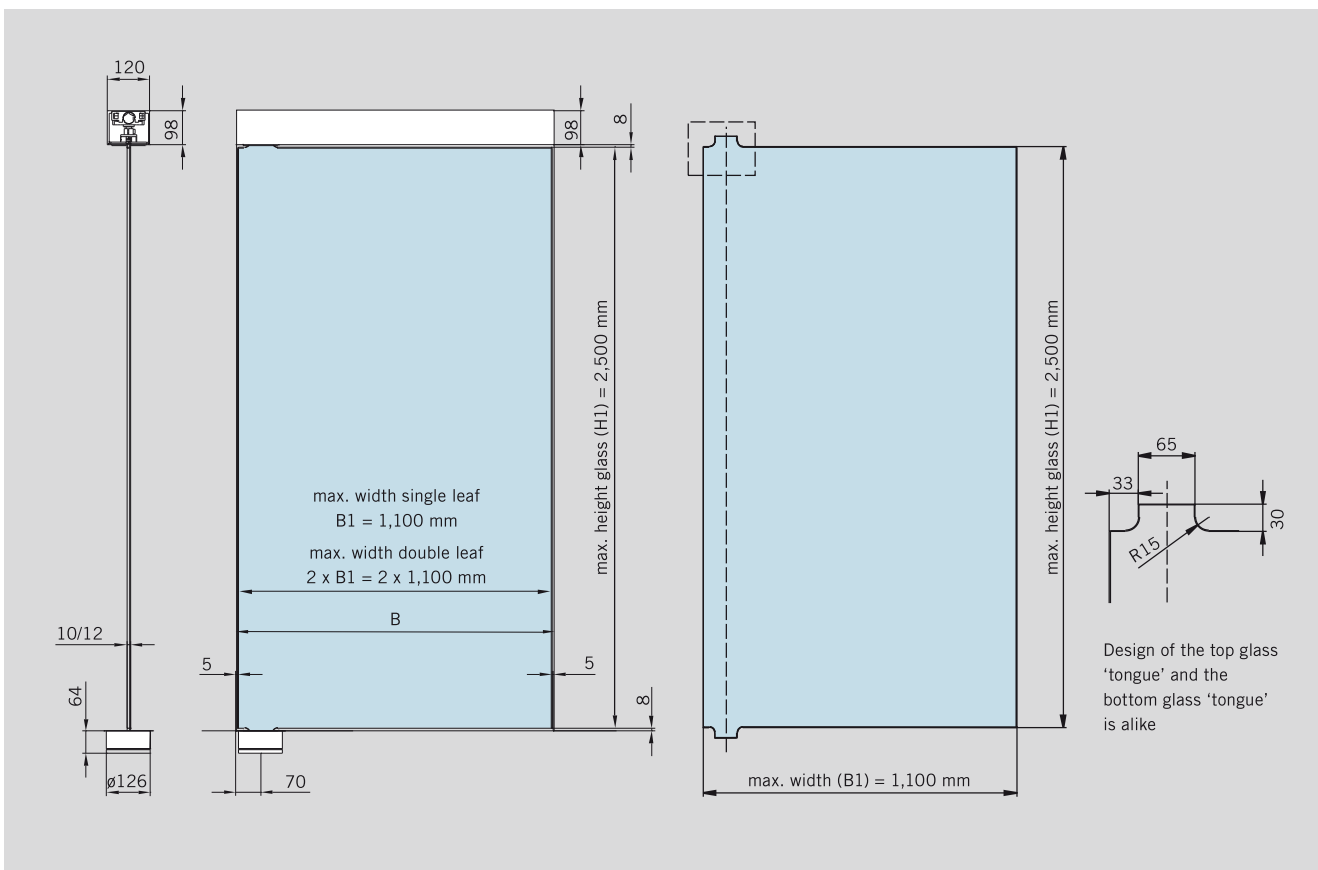
- Glass thickness: 10 / 12 mm
- max. door panel weight: 85 kg
- max. door panel width (B1): 1,100 mm
- max. door panel height (H1): 2,500 mm

Calculation of glass measurements:

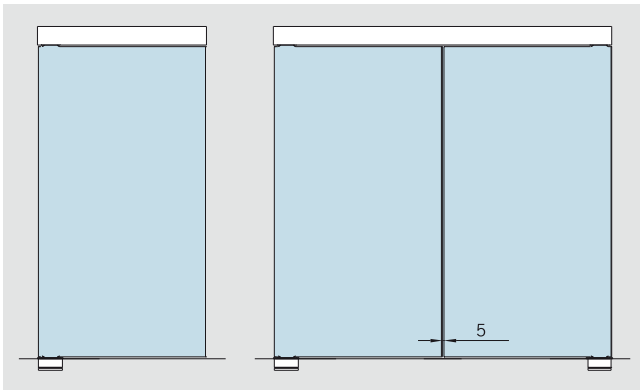
$$H1 = H - 114$$

$$B1 \text{ single leaf} = B - 10$$

$$B1 \text{ double leaf} = \frac{B - 15}{2}$$



VISUR COMPLETE SETS



Complete set for single leaf doors incl. transom tube, RTS 85, top and bottom pivot **Art. No. 03.770**

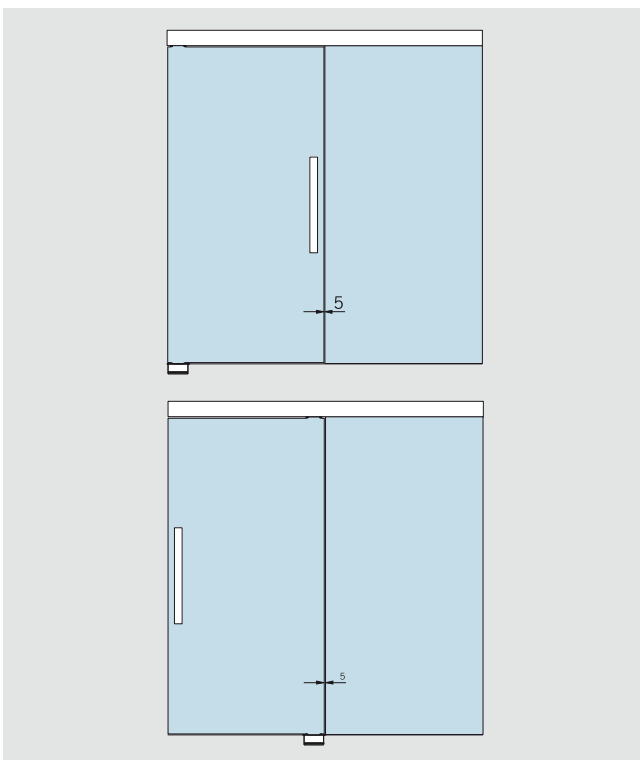
do. for double leaf door **Art. No. 03.771**

Attention:

Please indicate with your order clear width in mm.

Max. assembly width: 1,100 mm (03.770)

Max. assembly width: 2,200 mm (03.771)



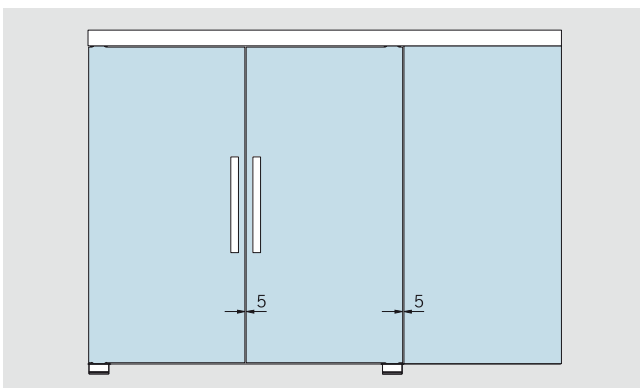
Complete set for single leaf doors with fixed sidelight, incl. transom tube, RTS 85, top and bottom pivot **Art. No. 03.790**

Attention:

Please indicate with your order the clear width and the width of sidelights and doors in mm.

Max. assembly width:

2,000 mm



do. for double leaf door with sidelight

Art. No. 03.791

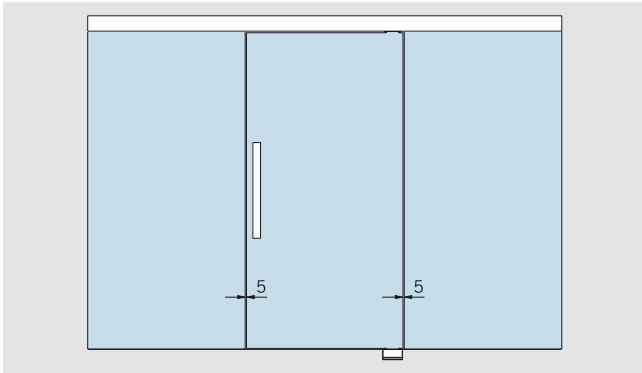
Attention:

Please indicate with your order the clear width and the width of sidelights and doors in mm.

Max. assembly width:

3,000 mm

VISUR COMPLETE SETS

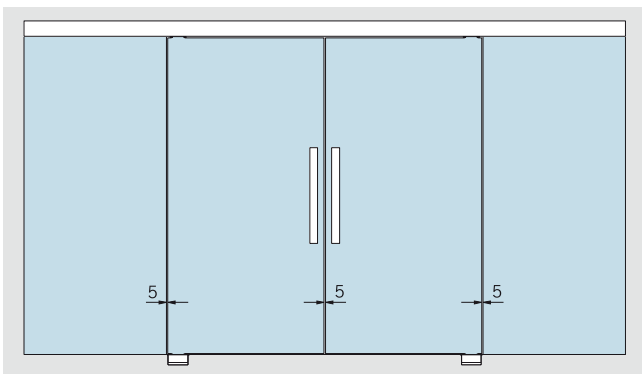


do. for double leaf door with
fixed sidelight

Art. No. 03.792

Attention:

Please indicate with your order the clear width and the width of sidelights and doors in mm.
Max. assembly width: 3,000 mm.



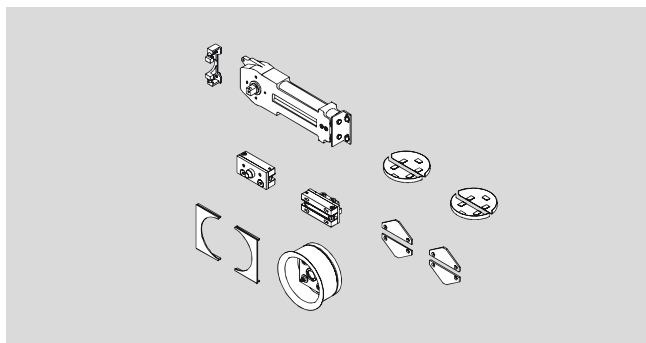
do. for double leaf door with
two fixed sidelights

Art. No. 03.793

Attention:

Please indicate with your order the clear width and the width of sidelights and doors in mm.
Max. assembly width: 4,000 mm.

VISUR COMPONENTS



VISUR set
composed of RTS 85, top and bottom pivot

Art. No. 03.772

VISUR set
composed of top and bottom pivot, (without RTS 85)

Art. No. 03.773



VISUR transom tube profile
for single leaf doors
(max. 1,100 mm door panel width), in fixed length
(please indicate with your order the clear width in mm)

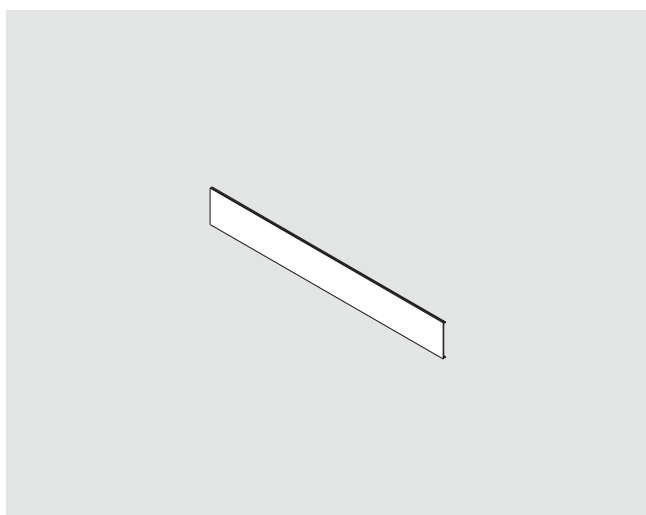
Art. No. 03.775

do. for double leaf doors
(max. 2 x 1,100 mm door panel width), in fixed length
(please indicate with your order the clear width in mm)

Art. No. 03.776

VISUR transom tube profile
in stock length 6,000 mm

Art. No. 03.789



VISUR transom tube cover profile
for single leaf doors
(max. 1,100 mm door panel width), in fixed length
(please indicate with your order the clear width in mm)

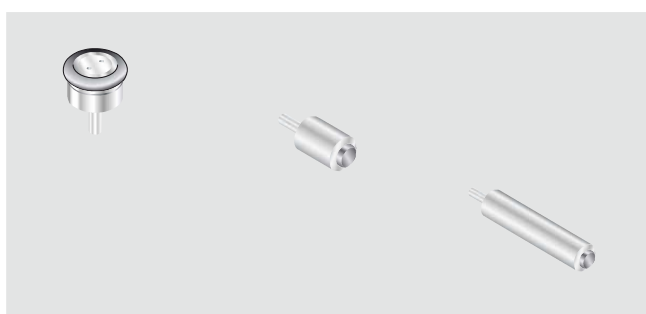
Art. No. 03.777

do. for double leaf doors
(max. 2 x 1,100 mm door panel width), in fixed length
(please indicate with your order the clear width in mm)

Art. No. 03.778

VISUR transom tube cover profile
in stock length 6,000 mm

Art. No. 03.780



Floor doorstop

Art. No. 29.950

Wall doorstop, short

Art. No. 29.951

Wall doorstop, long

Art. No. 29.952