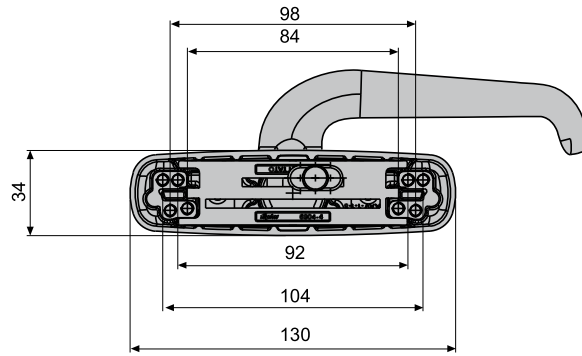
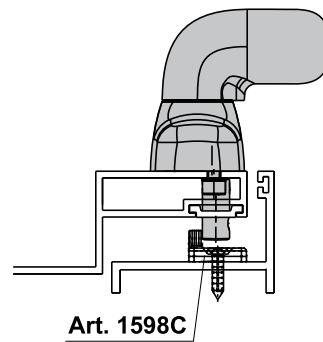
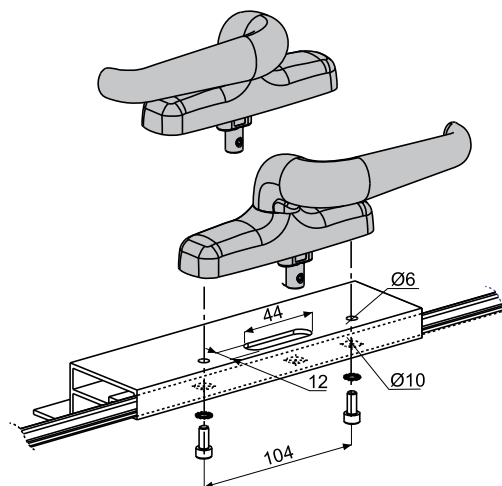
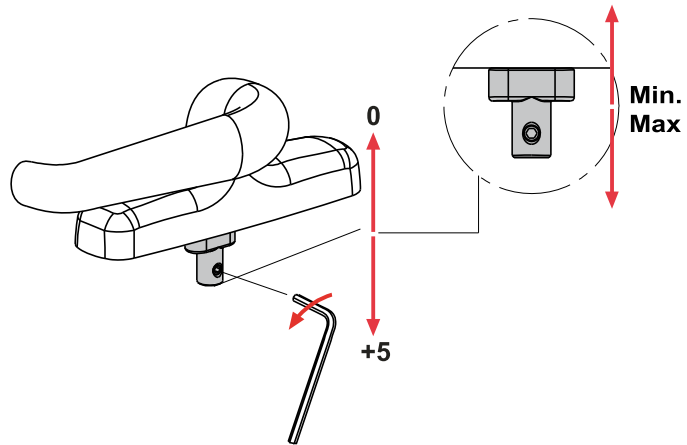
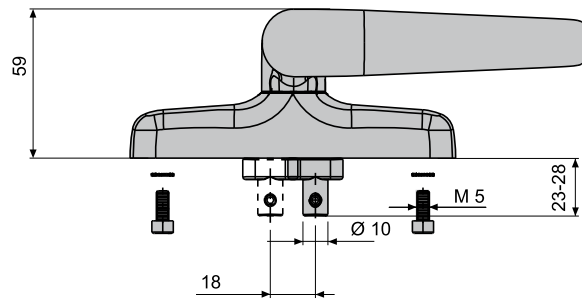
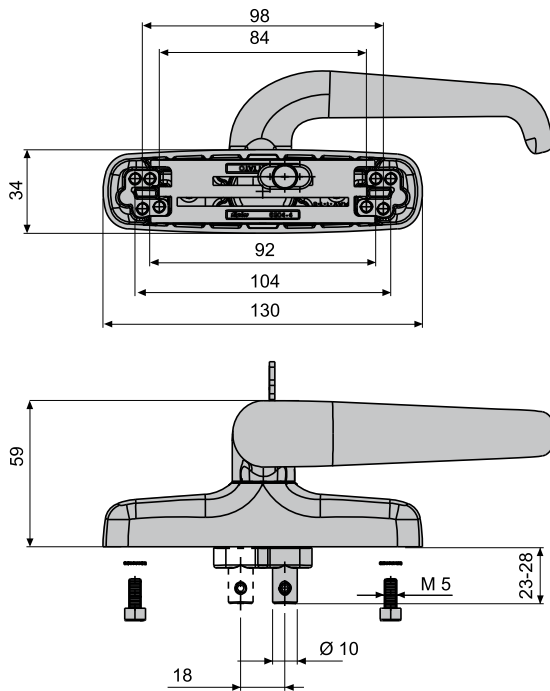


0770AD  
0770AS



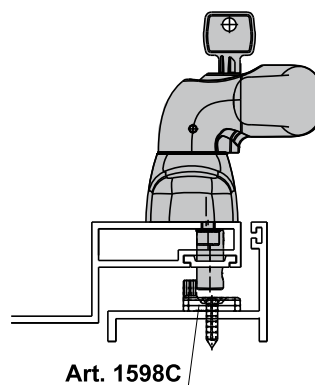
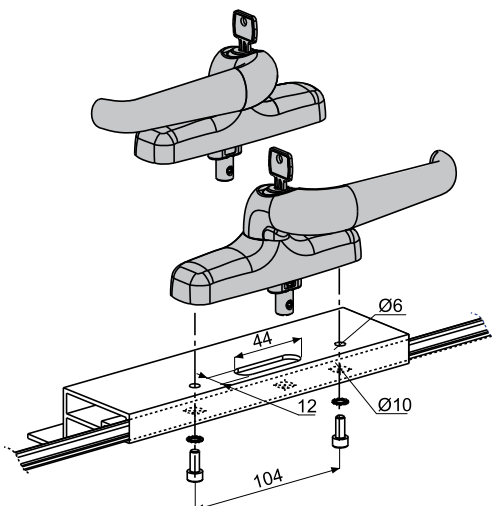
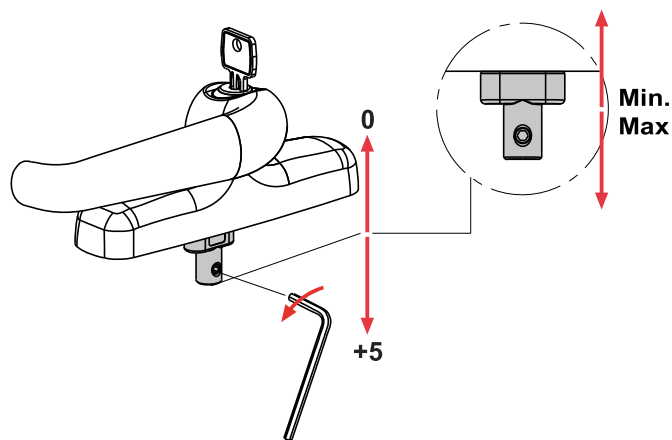
0770AD	84-92-98-104		5	
0770AS				







0771AD  
0771AS

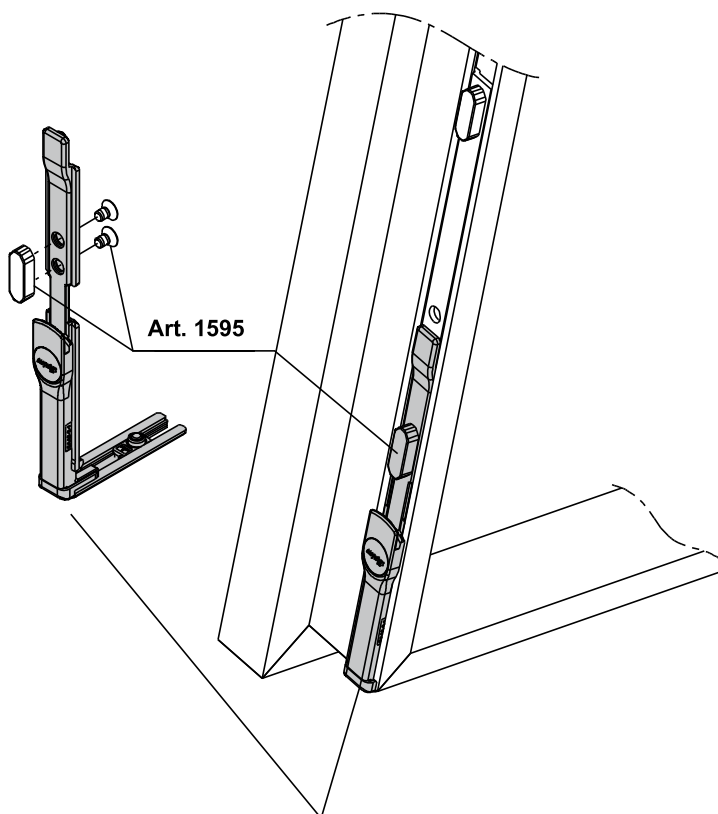
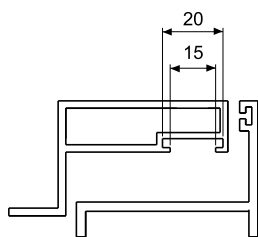
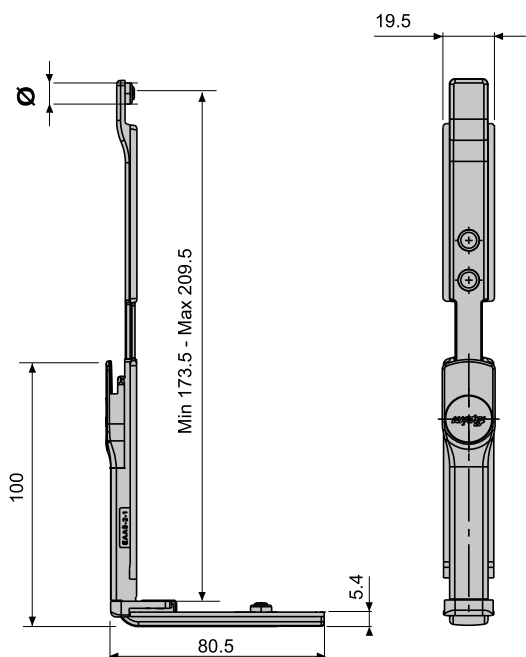
0771AD	84-92-98-104		5
0771AS			



1515B



<b>1515B</b>	 Ø	
	5 - 6 - 8	10



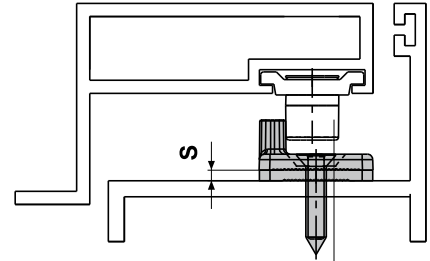
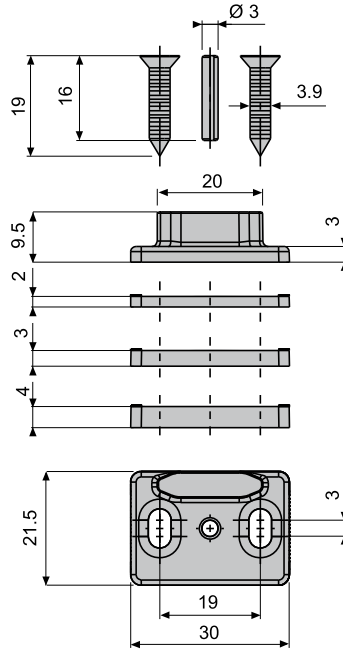
**S = 2 - 3 - 4**     **Art. 1598C**

<b>1595</b>		
	8	50

1595

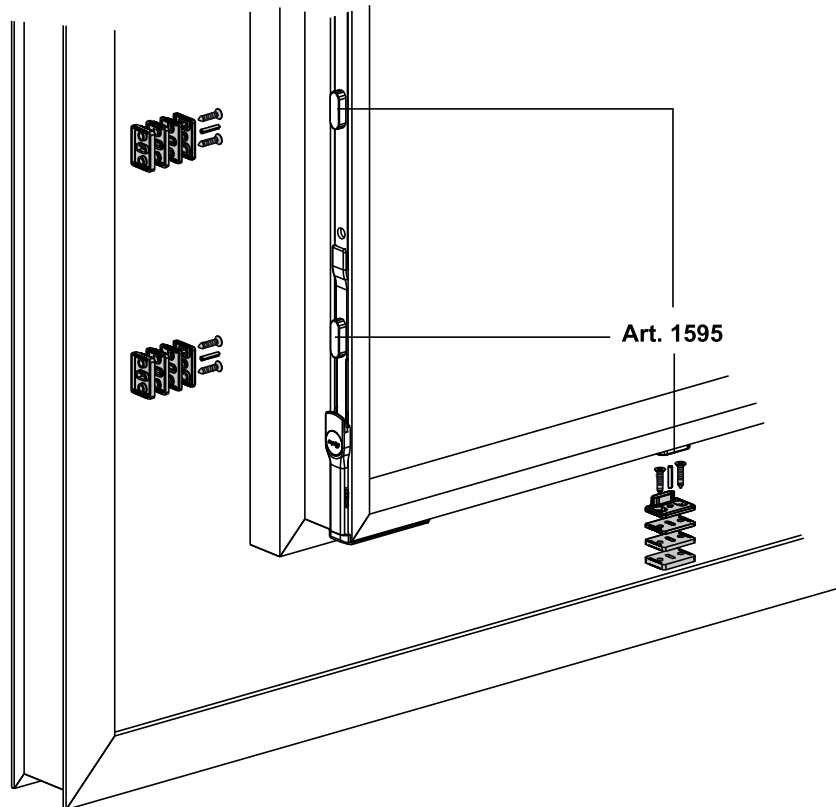
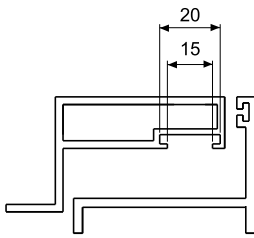
**Art. 1515B**

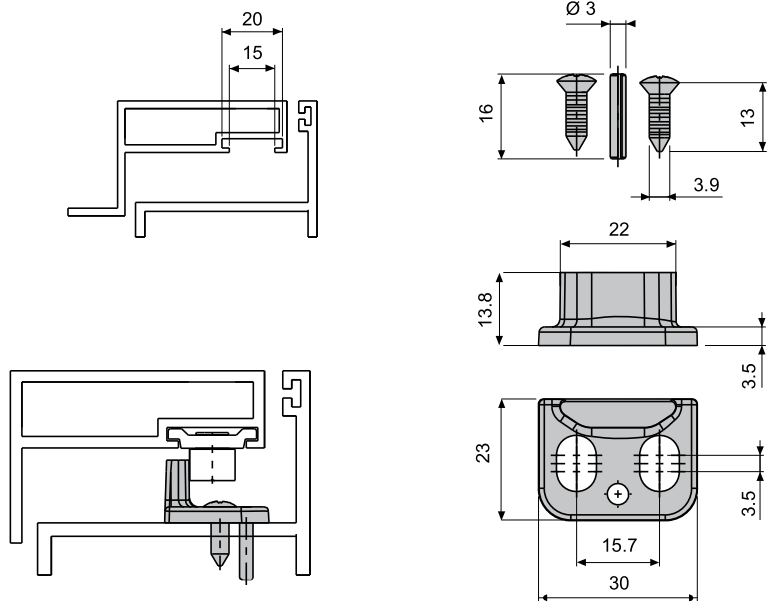
1598C



Art. 1595

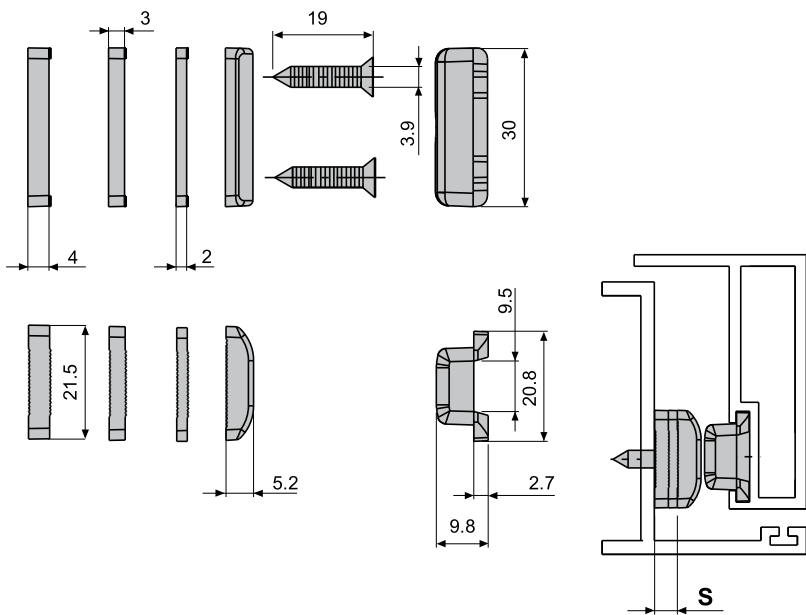
<b>S</b>		
1598C	2 - 3 - 4	50





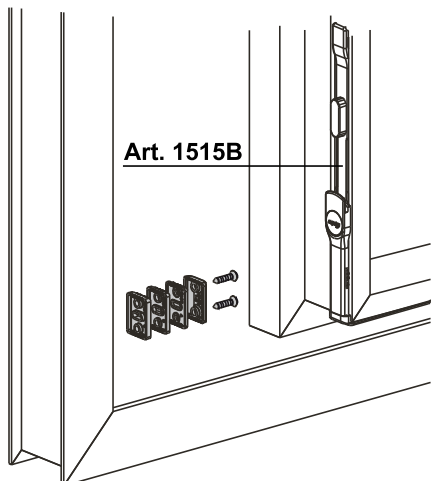
1598

1598	10

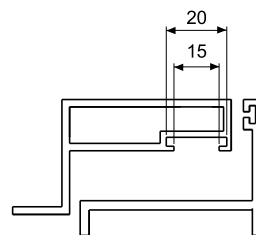
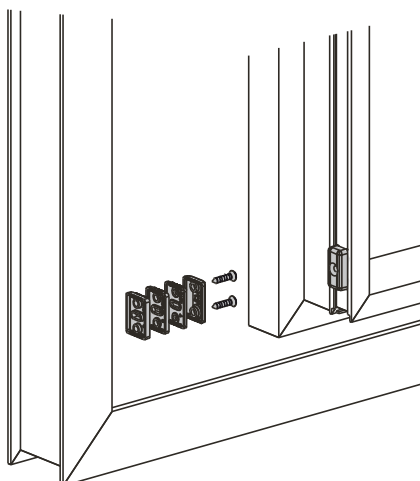


1613

1613	S
2 - 3 - 4	100

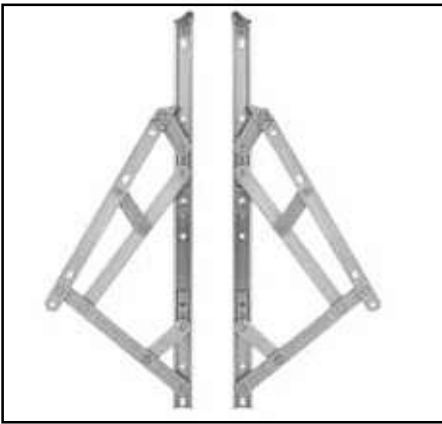


Art. 1515B

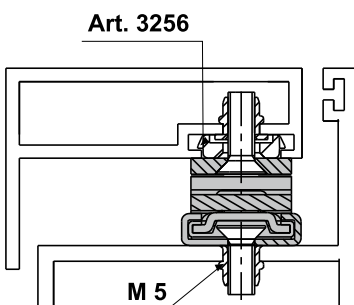
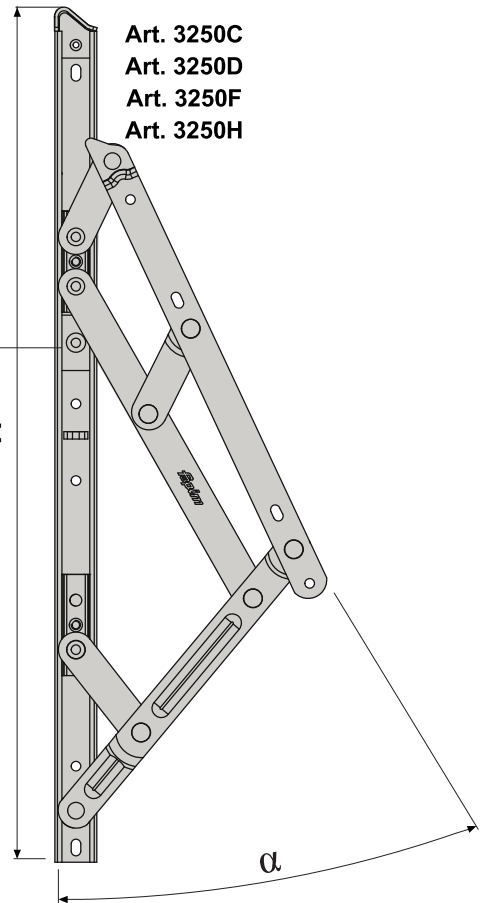
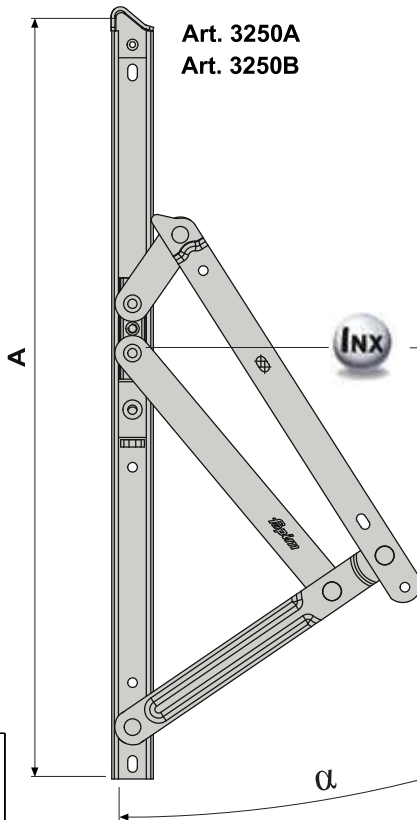
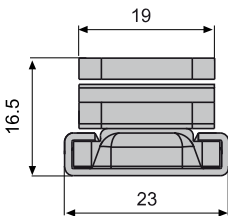
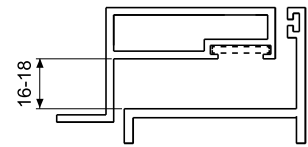
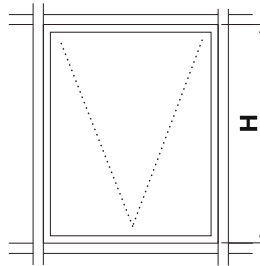
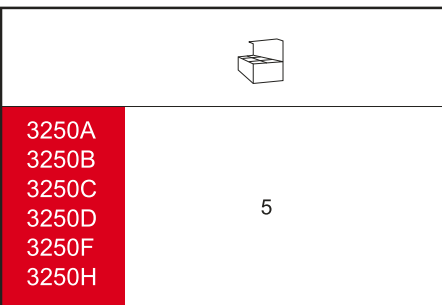


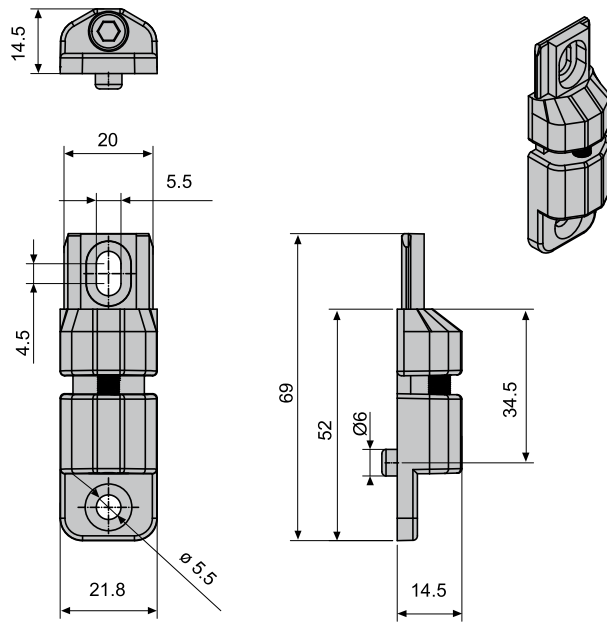


- 3250A
- 3250B
- 3250C
- 3250D
- 3250F
- 3250H



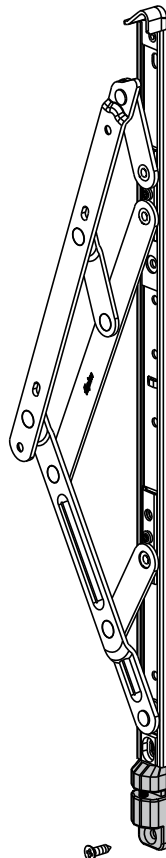
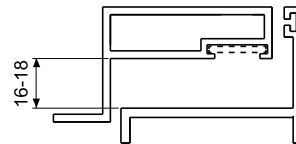
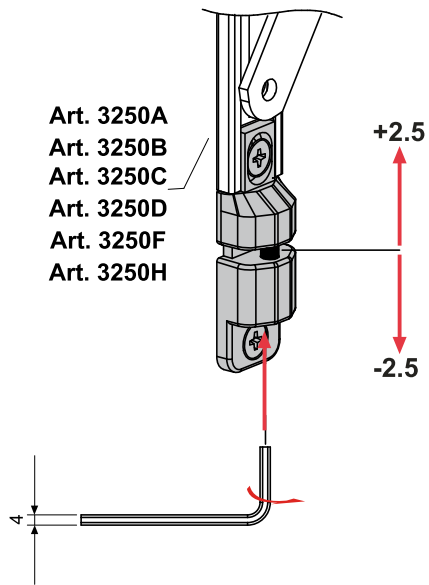
	A	H max	$\alpha$	W max Kg
3250A	14" - 357mm	39" - 1000	30°/35°	65
3250B	16" - 406mm	47" - 1200	25°/30°	85
3250C	18" - 457mm	55" - 1400	25°/30°	100
3250D	20" - 511mm	63" - 1600	20°/25°	110
3250F	24" - 601mm	71" - 1800	15°/20°	120
3250H	28" - 708mm	79" - 2000	15°/20°	130



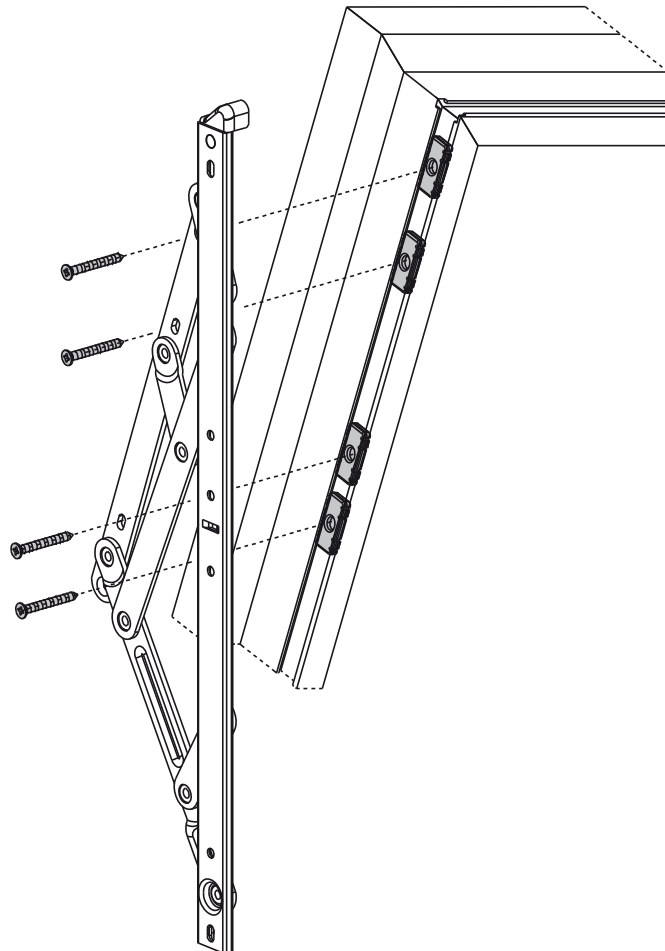
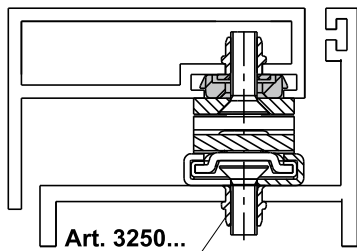
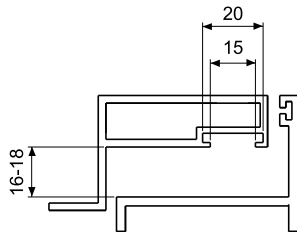
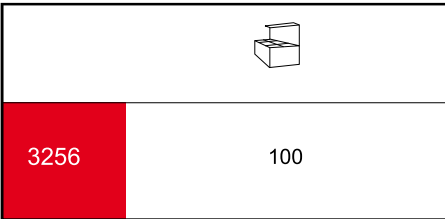
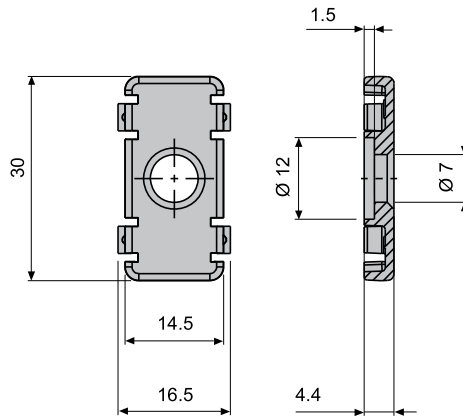


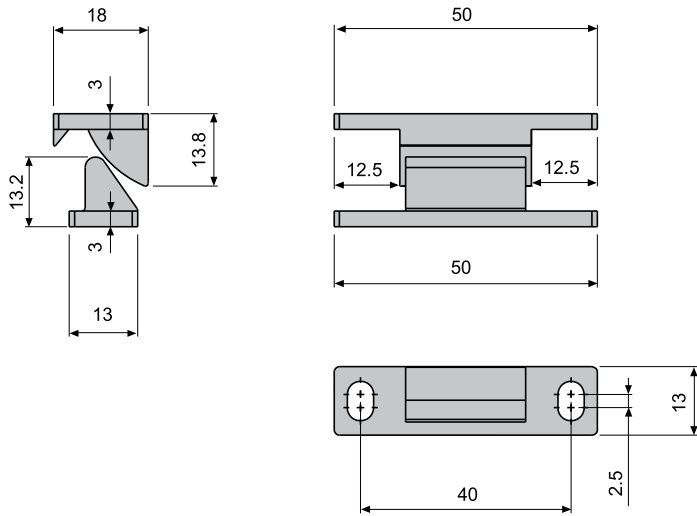
3255

3255	10



3256





3257

3257	10

